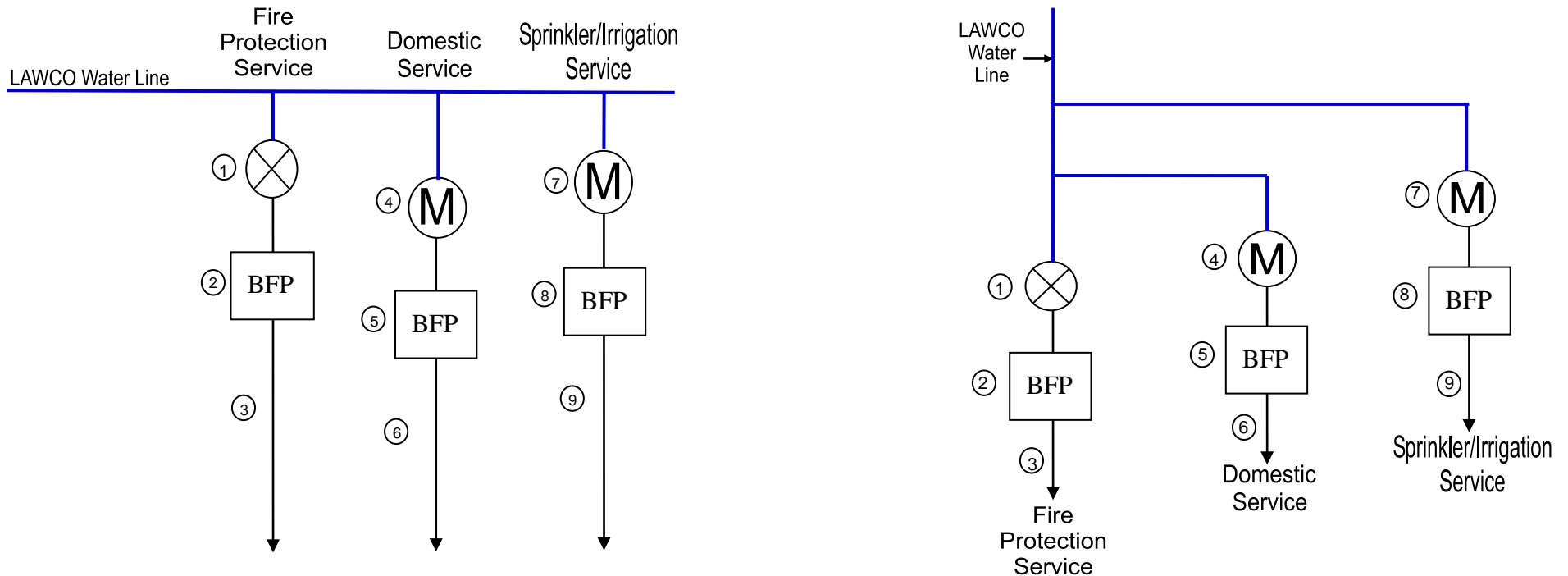


Louisiana Water Company Cross Connection Control Program Backflow Preventer Devices & Applications

Fire Protection Service, Commercial Service, Lawn Sprinklers and Irrigation Piping Systems – All fire protection services, commercial services, lawn sprinklers and irrigation piping systems are required to have a backflow prevention device that meets the requirements of Chapter 6 – Water Supply and Distribution, Section 606 – Protection of Potable Water Supply and Appendix D – Cross Connection Control as stipulated in the Louisiana State Plumbing Code. The backflow prevention device and installation must be reviewed and approved by Louisiana Water Company prior to installation to ensure regulatory compliance. All backflow prevention devices must have thermal and weather protection.

The customer is responsible for all costs associated with providing fire protection service, commercial service and lawn sprinkler/irrigation service including any required meter assembly, valves and other piping installed and owned by Louisiana Water Company for the purpose of providing that service. All equipment immediately downstream of the LAWCO service will be installed and owned by the customer.



- ① Water Company Valve for Fire Protection Service – Installed By LAWCO
- ② Reduced Pressure Detector Assembly with Thermal/Weather Protection Meeting Louisiana State Plumbing Code Requirements – Installed by Customer
- ③ Waterline for Fire Service – Installed by Customer
- ④ Meter Assembly for Domestic Service – Installed by LAWCO
- ⑤ Reduced Pressure Zone Assembly with Thermal/Weather Protection Meeting Louisiana State Plumbing Code Requirements – Installed by Customer
- ⑥ Waterline for Domestic Service – Installed by Customer
- ⑦ Meter Assembly for Sprinkler/Irrigation Service – Installed by LAWCO
- ⑧ Reduced Pressure Zone Assembly with Thermal/Weather Protection Meeting Louisiana State Plumbing Code Requirements – Installed by Customer
- ⑨ Waterline for Sprinkler/Irrigation Service – Installed by Customer